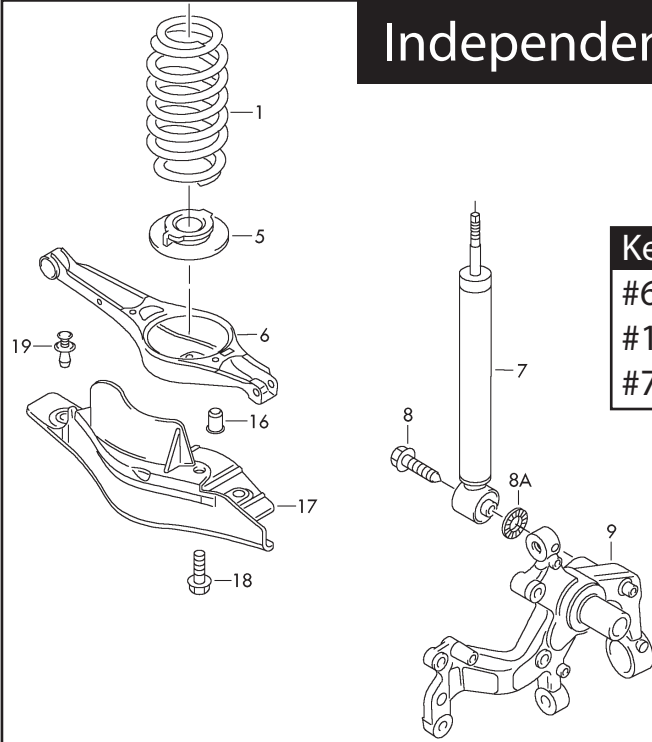


VW AG Group PQ35 Suspension Identification MK5 / MK6 Audi A3/TT - VW Golf/Jetta/Beetle

Independent Rear Suspension



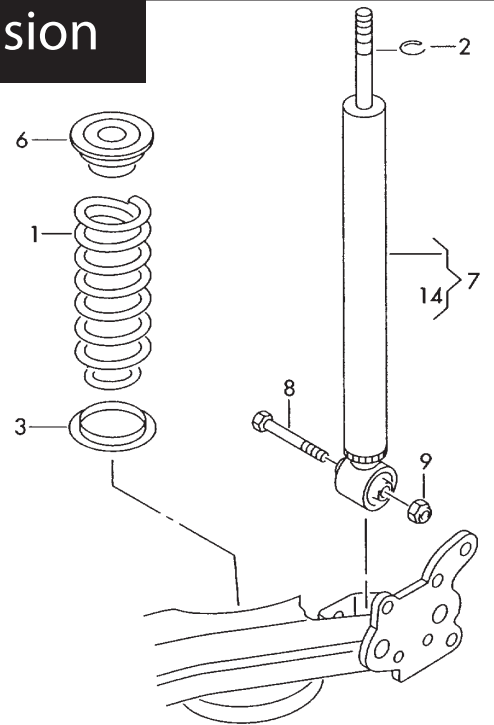
Key Identification Points:

- #6 - Lower Control Arm
- #1 - Spring Sits in #6 "Pocket"
- #7 - Shock Bolts to Spindle #9

Trailing Arm Rear Suspension

Key Identification Points:

- #1 - Spring Sits on #3 on platform
- #7 - Shock Bolts in bracket using #8 bolt & #9 nut.



| inch | | | | | | | | | | | | | | | 50mm | | 55mm | |
|------|---|---|---|---|---|---|---|---|----|----|----|----|----|----|------|--|------|--|
| 1 | 2 | 3 | 4 | 5 | 6 | 7 | 8 | 9 | 10 | 11 | 12 | 13 | 14 | 15 | | | | |

Front Strut Measurement